



# PUR Sensor™

for

## Concrete Road Installation



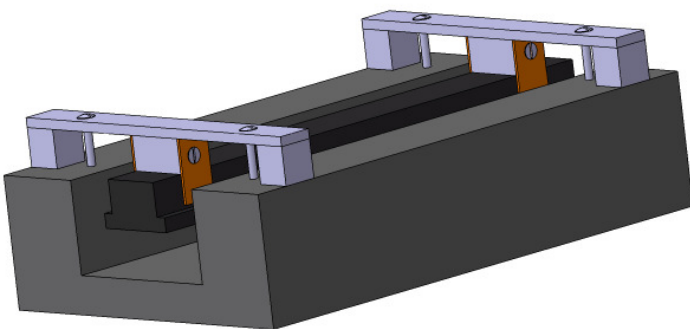
Installed strip

### Features

- High Reliability
- High Axle/Wheel Detection Accuracy
- High Detection Sensitivity
- Works for any Speed

### Benefits

- High Warranty and Low Cost Solution
- Adapts to any Road Surface
- Approved cement-based Filler Material
- Easy and fast Installation at lowest Risk
- Unique Strip Lifetime ensures lowest Maintenance Costs



Installation method



Cement-based filler material

Prepared for The Future

# SENSOR LINE