



PUR Sensor™

for Asphalt and Concrete Road Installation



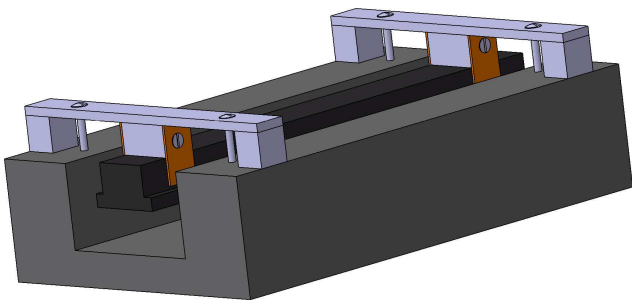
Installed strip

Features

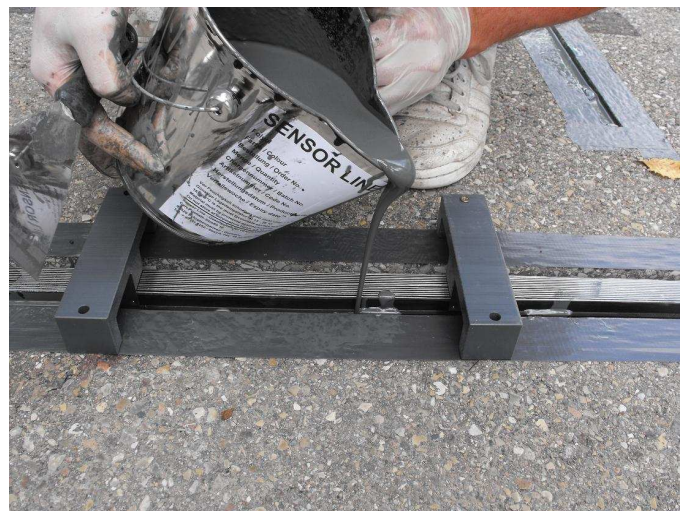
- High Reliability
- High Axle/Wheel Detection Accuracy
- High Detection Sensitivity
- Works for any Speed

Benefits

- High Warranty and Low Cost Solution
- Adapts to any Road Surface
- Approved PUR-Slot-Filler Material
- Easy and fast Installation at lowest Risk
- Unique Strip Lifetime ensures lowest Maintenance Costs



Installation methode



Filling in with the SL-PUR-Slot-Filler encapsulation material

Prepared for The Future

SENSOR LINE